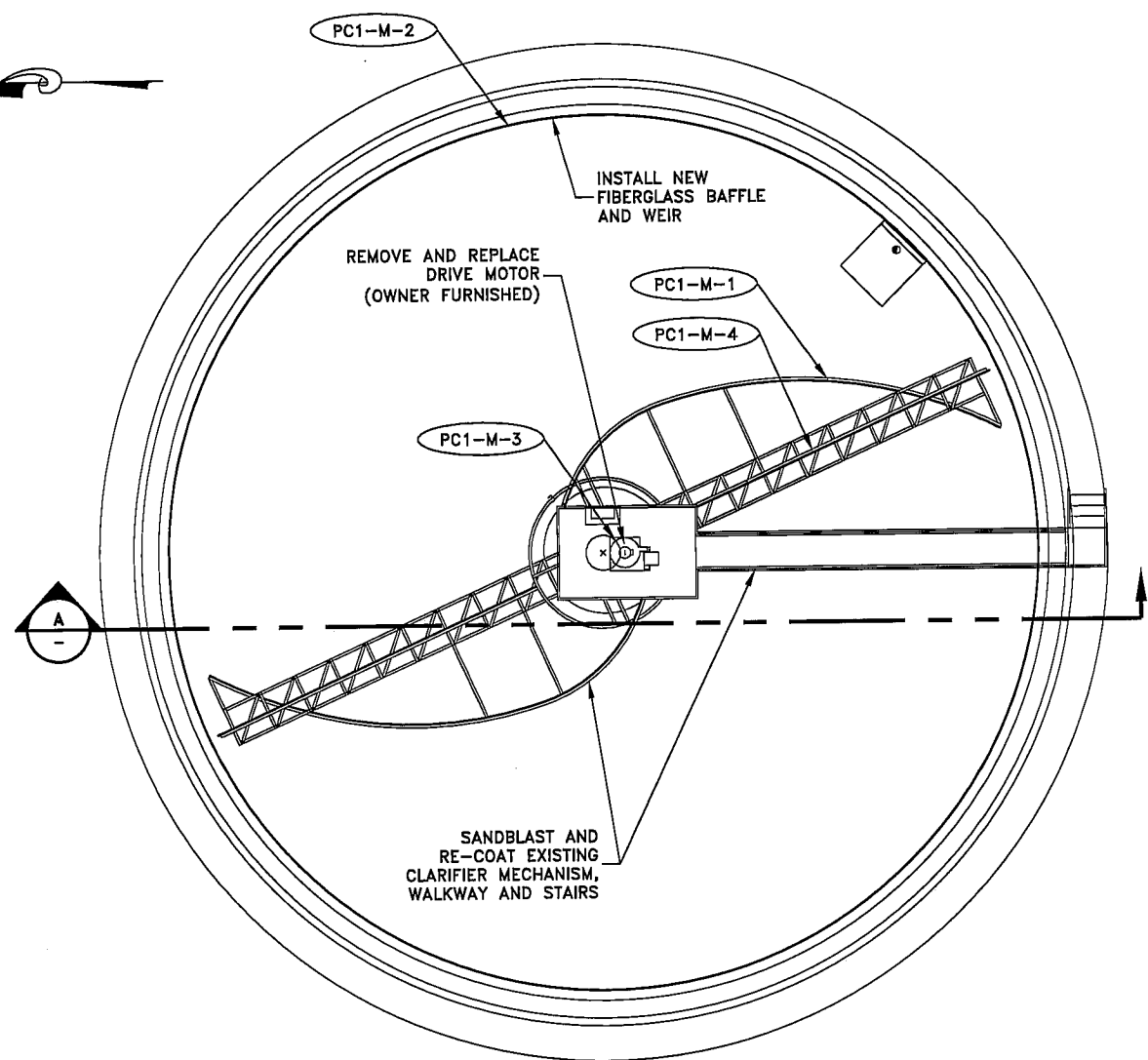
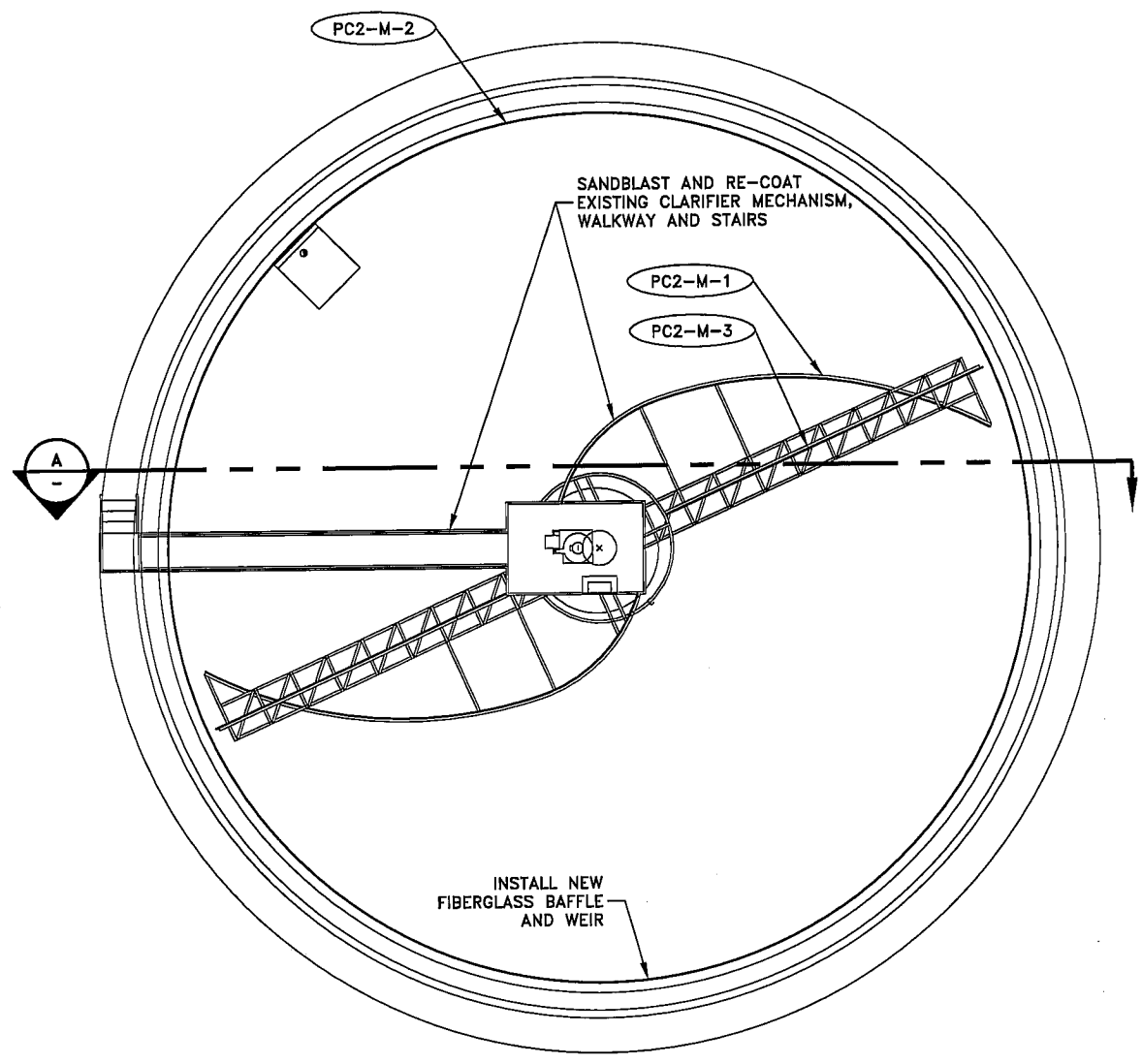


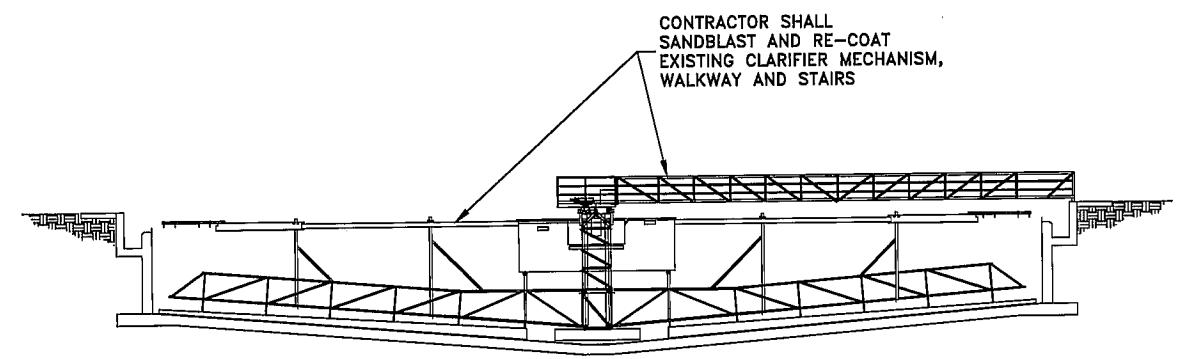
CAL 02/18/2010 X:\corm\2009 wwf\OREM09.dwg\PC\PC-DEMO.dwg



PRIMARY CLARIFIER #1 - MECHANICAL PLAN
 SCALE: 1/8"=1'-0"
 0 8 16
 Scale In Feet



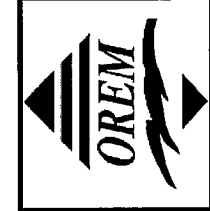
PRIMARY CLARIFIER #2 - MECHANICAL PLAN
 SCALE: 1/8"=1'-0"
 0 8 16
 Scale In Feet



SECTION
 SCALE: 1/8"=1'-0"
 0 8 16
 Scale In Feet

NO.	DATE	DESIGN	DRAWN	CHECKED	REVISIONS	
					JRL	STA
C	02/22/10	JRL	STA	JRL		

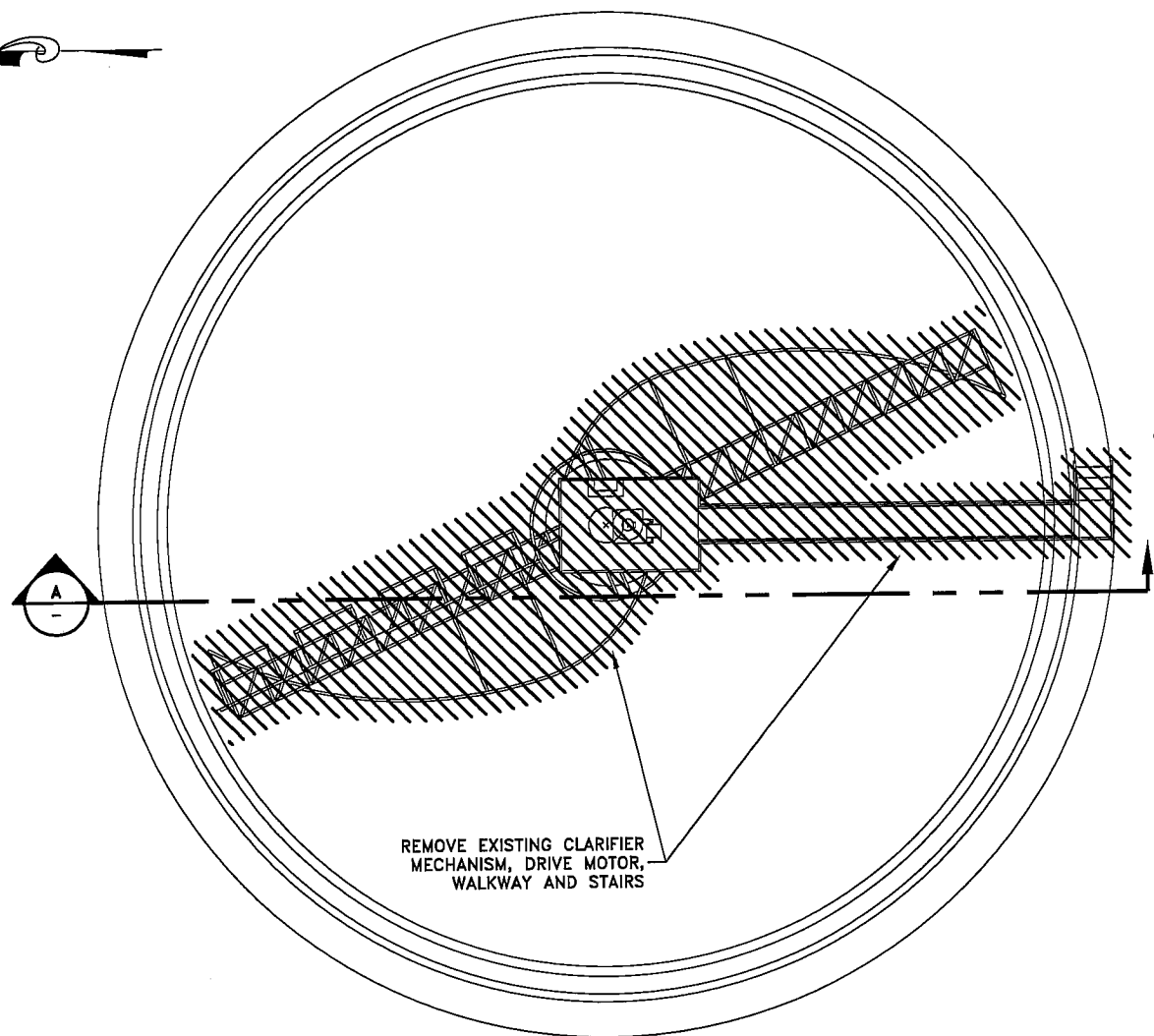
CITY OF OREM
 WATER RECLAMATION FACILITY
 75' PRIMARY CLARIFIER #1 AND #2
 MECHANICAL - PLAN AND SECTION



AQUA
 ENGINEERING, INC.
 533 W. 2600 S., SUITE 275 BOUNTIFUL, UT 84010
 PHONE (801) 298-1327 FAX (801) 298-0153

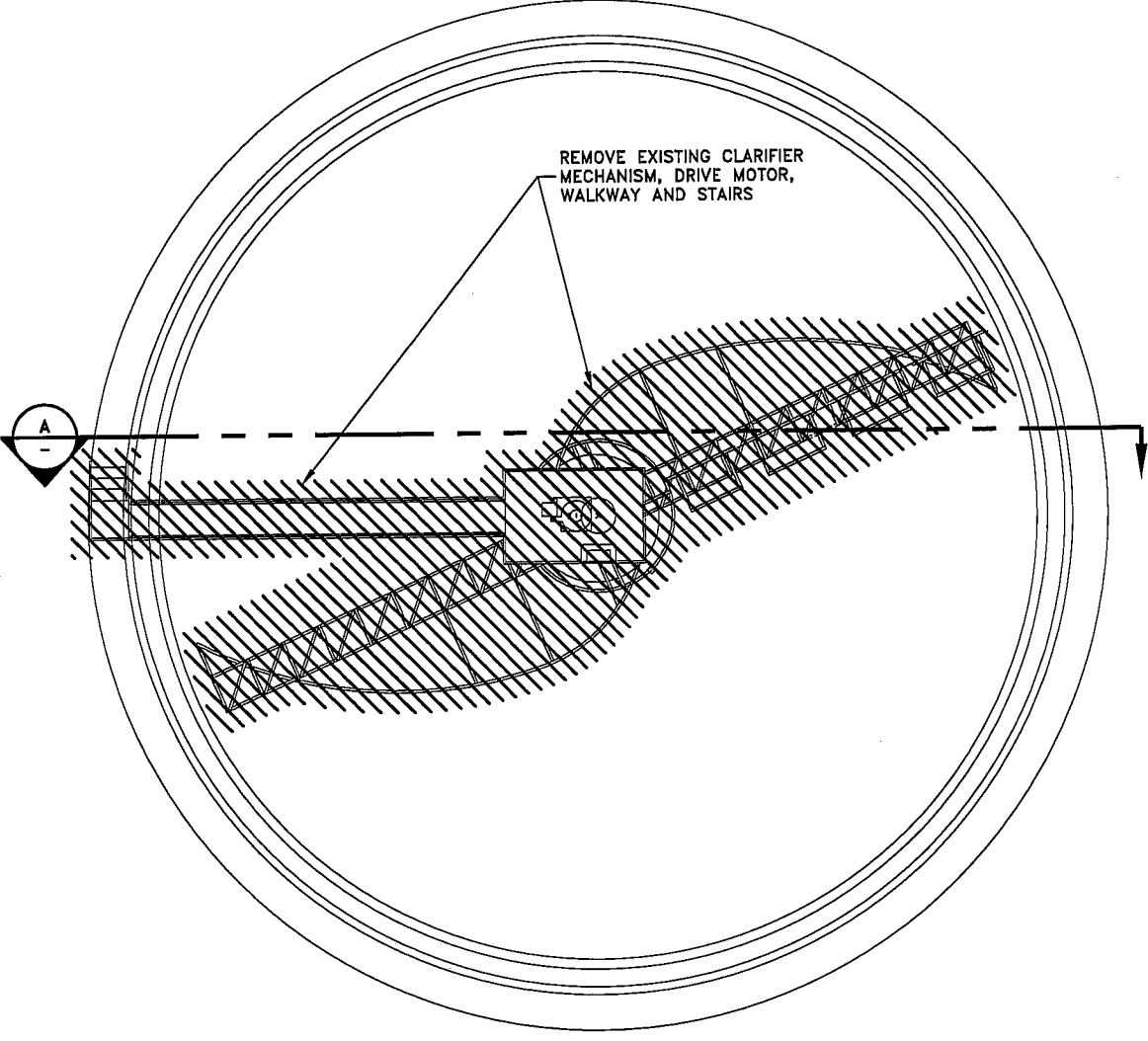
0 1/2 1
 DRAWING IS NOT TO SCALE IF BAR DOES NOT MEASURE 1"

SHEET 71
PC-1



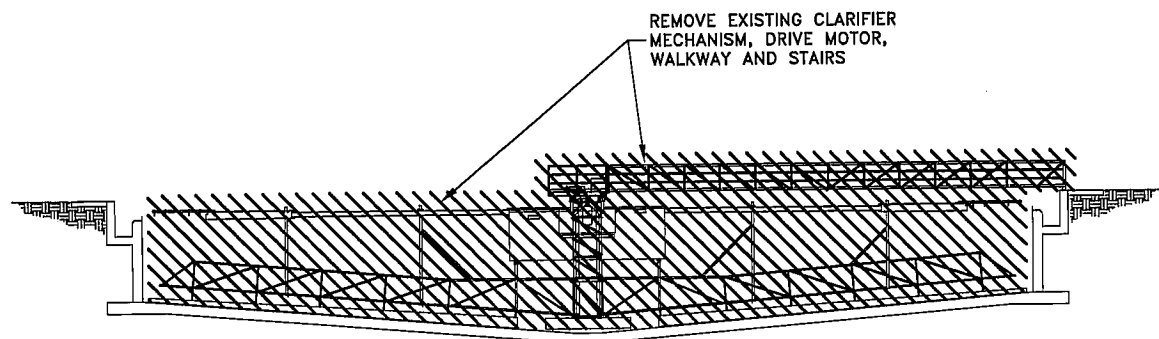
PRIMARY CLARIFIER #3 - REMOVAL PLAN

SCALE: 1/8"=1'-0"
 0 8 16
 Scale in Feet



PRIMARY CLARIFIER #4 - REMOVAL PLAN

SCALE: 1/8"=1'-0"
 0 8 16
 Scale in Feet



SECTION

SCALE: 1/8"=1'-0"
 0 8 16
 Scale in Feet

0 1/2 1
 DRAWING IS NOT TO SCALE IF BAR DOES NOT MEASURE 1"

NO.	DATE	DESIGN	DRAWN	CHECKED
C	02/22/10	JRL	STA	JRL

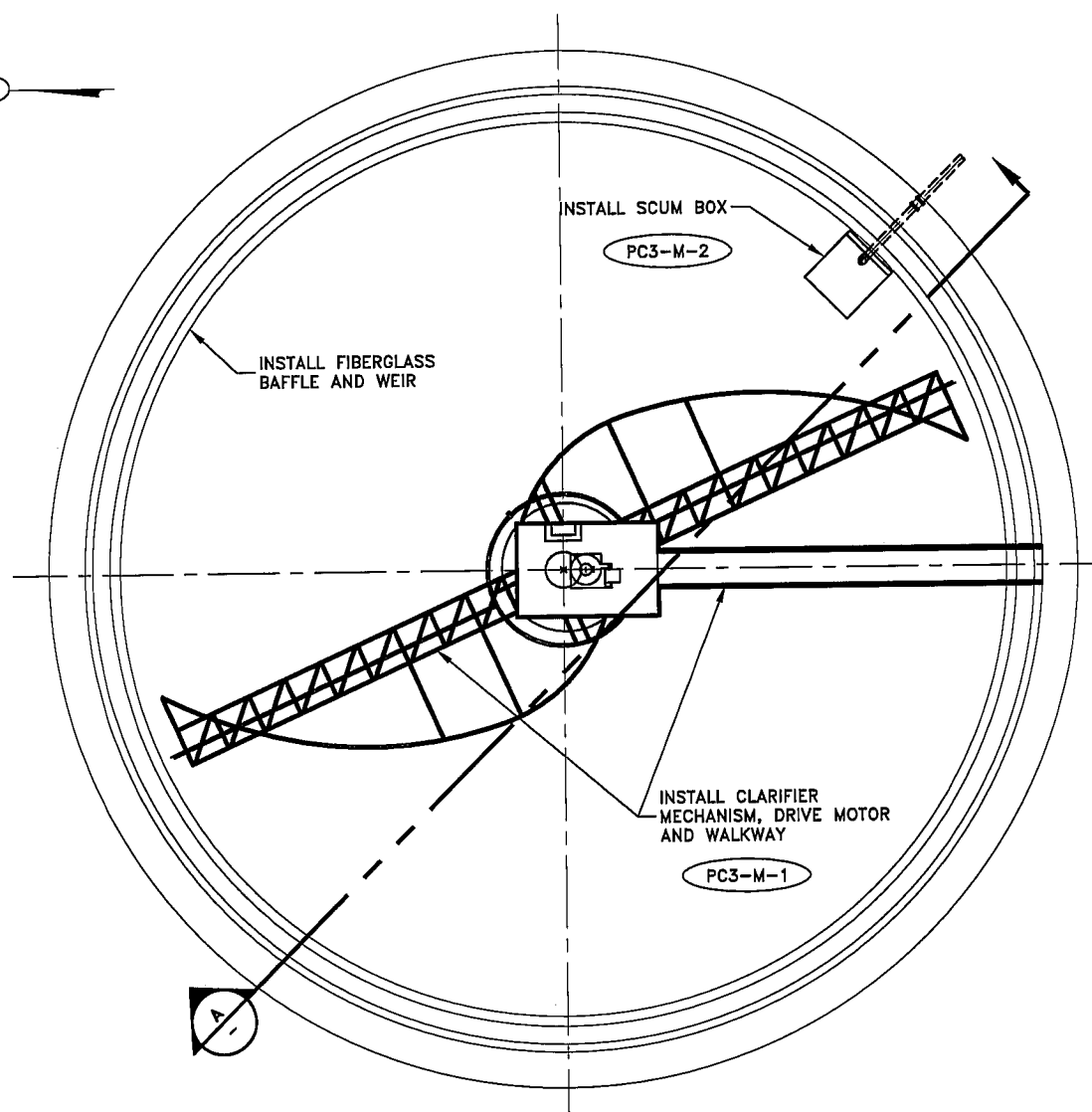
CITY OF OREM
 WATER RECLAMATION FACILITY
 75' PRIMARY CLARIFIER #3 AND #4
 REMOVAL - PLAN AND SECTION



AQUA
 ENGINEERING, INC.
 533 W. 2800 S., SUITE 275 BOUNTIFUL, UT 84010
 PHONE (801) 299-1327 FAX (801) 299-0153

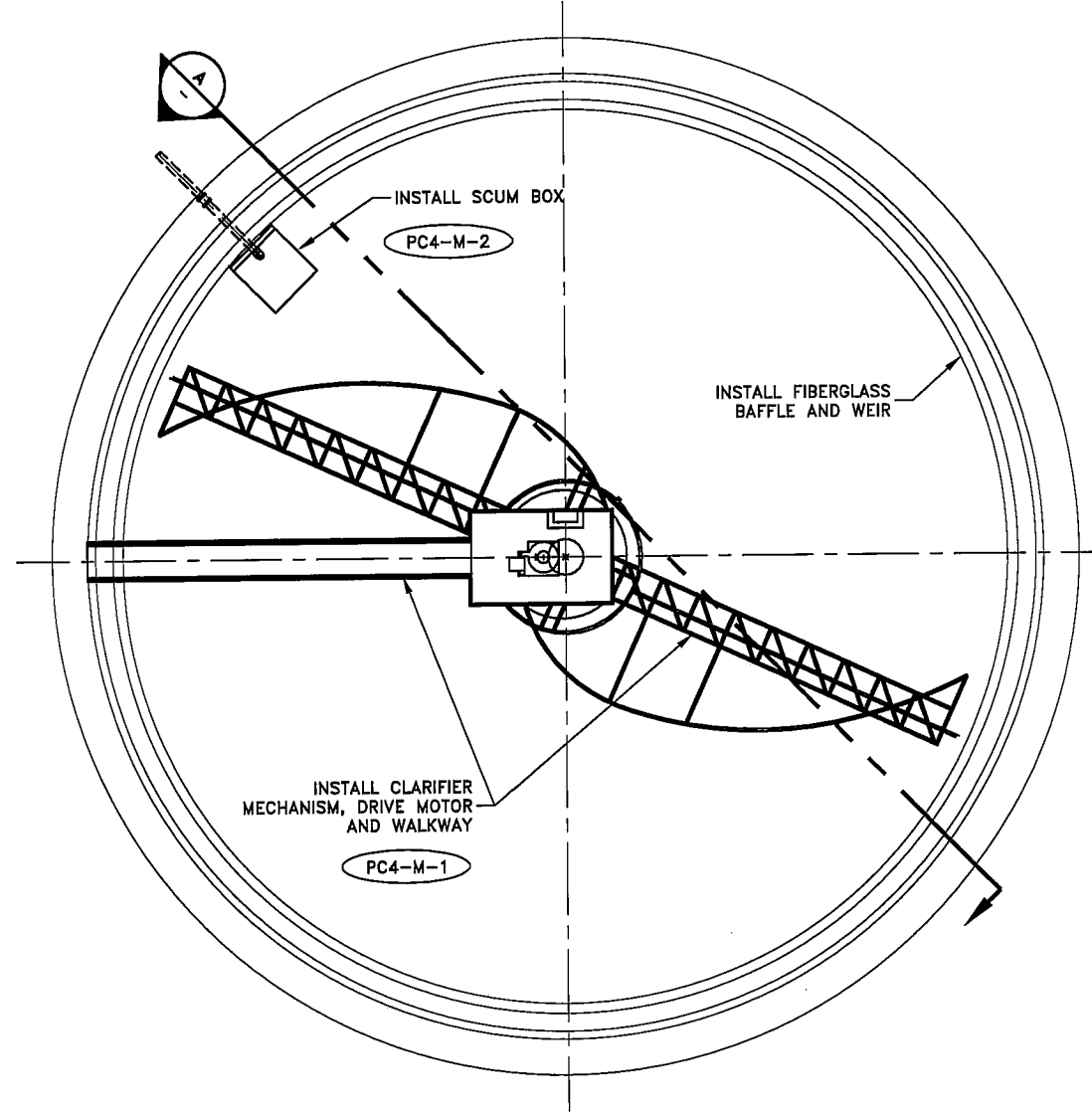
SHEET 72

PC-2



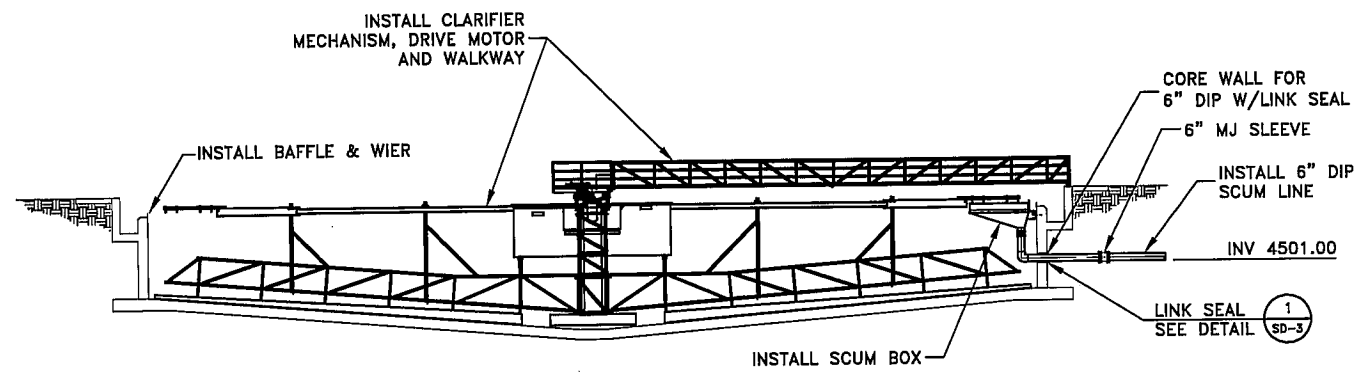
PRIMARY CLARIFIER #3 - CONVERSION PLAN

SCALE: 1/8"=1'-0"
 0 8 16
 Scale in Feet



PRIMARY CLARIFIER #4 - CONVERSION PLAN

SCALE: 1/8"=1'-0"
 0 8 16
 Scale in Feet

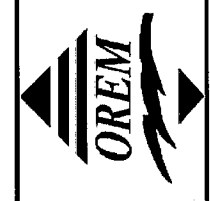


SECTION A-A
 SCALE: 1/8"=1'-0"
 0 8 16
 Scale in Feet

NOTE:
 REMOVE AND REPLACE GROUT
 IN BOTTOM OF EACH CLARIFIER
 MIN 2" OF GROUT

NO.	DATE	DESIGN	DRAWN	CHECKED
C	02/22/10	JRL	STA	JRL
REVISIONS				

CITY OF OREM
 WATER RECLAMATION FACILITY
 75' PRIMARY CLARIFIER #3 AND #4
 CONVERSION - PLAN AND SECTION



AQUA
 ENGINEERING, INC.
 533 W. 2600 S., SUITE 275 BOUNTIFUL, UT 84010
 PHONE: (801) 299-1327 FAX: (801) 299-0153

0 1/2 1
 DRAWING IS NOT TO
 SCALE IF BAR DOES
 NOT MEASURE 1"

SHEET 73
PC-3

CAL 02/18/2010 3:00 PM \\oremi\dms\2009_wrfp\OREM09dms\PC\PC-INSTALL.dwg